



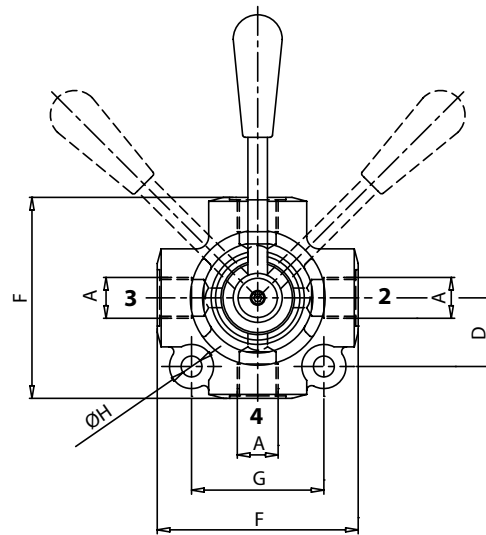
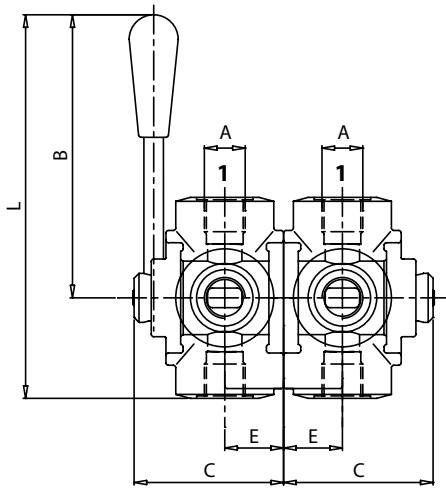
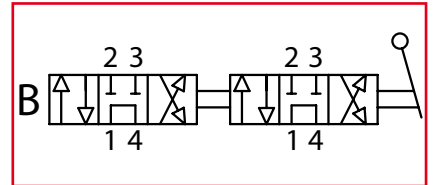
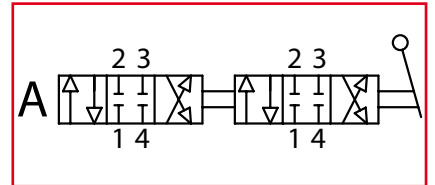
# IDF8

Deviatori di flusso a 8 vie  
8 ways flow diverters

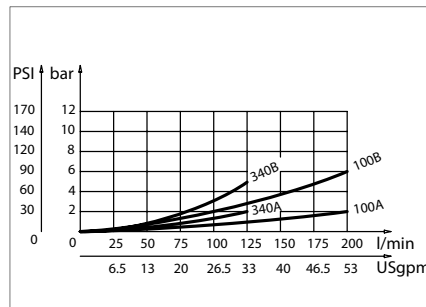
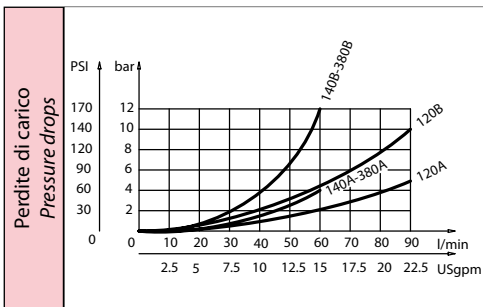
**LEHENGOMK, S. P.A.**



| Dati tecnici<br>Technical data              |  |
|---|--|
| Viscosità fluido<br>Fluid viscosity         | 10-500 mm <sup>2</sup> /s<br>45 to 2000 ssu (6 to 420 cSt) |
| Classe di contaminazione<br>Filtration      | ISO code 16/13<br>SAE class 4 or better                    |
| Temperatura fluido<br>Fluid temperature     | -20°C +80°C<br>-4°F +176°F                                 |
| Temperatura ambiente<br>Ambient temperature | -20°C +50°C<br>-4°F +122°F                                 |



mm  
(Inches)



| Codice ordinazione<br>Ordering code |                   |   |                                |
|-------------------------------------|-------------------|---|--------------------------------|
| IDF4 - X - Y                        |                   |   |                                |
| X                                   | Dimensione / Size | Y | Schema - Circuit               |
| 140                                 | BSPP 1/4          | A | Centro chiuso<br>Closed centre |
| 380                                 | BSPP 3/8          |   |                                |
| 120                                 | BSPP 1/2          | B | Centro aperto<br>Open centre   |
| 340                                 | BSPP 3/4          |   |                                |
| 100                                 | BSPP 1            |   |                                |

## Caratteristiche tecniche Technical performances

| Codice<br>Code | A        | Portata Max<br>Max flow<br>l/min - USgpm | Pressione Max<br>Max pressure<br>bar/PSI | B          | C         | D         | E         | F         | G         | H           | L          | Peso approssimativo<br>Approx weight<br>Kg / lb |
|----------------|----------|--|--|------------|-----------|-----------|-----------|-----------|-----------|-------------|------------|---|
| IDF8140        | BSPP 1/4 | 60 (16)                                  | 350 (5000)                               | 115 (4.53) | 63 (2.48) | 28 (1.10) | 24 (0.95) | 80 (3.15) | 54 (2.12) | 8,5 (0.33)  | 155 (6.10) | 2,3 (5)   |
| IDF8380        | BSPP 3/8 |  |  |            |           |           |           |           |           |             |            | 2,1 (4.6)                                       |
| IDF8120        | BSPP 1/2 | 90 (23)                                  |  |            | 77 (3.03) | 38 (1.50) | 31 (1.22) | 94 (3.70) | 74 (2.91) | 10,5 (0.41) | 162 (6.38) | 4,3 (9.5)                                       |
| IDF8340        | BSPP 3/4 | 120 (30)                                 |  |            | 4 (8.8)   |           |           |           |           |             |            |   |
| IDF8100        | BSPP 1   | 200 (50)                                 | 300 (4350)                               |            |           |           |           |           |           |             |            |   |